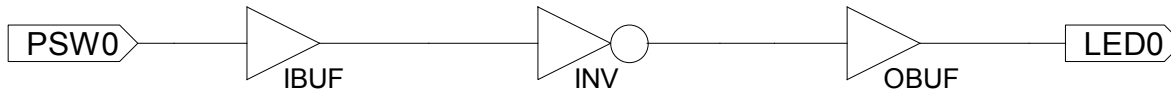


SWLED



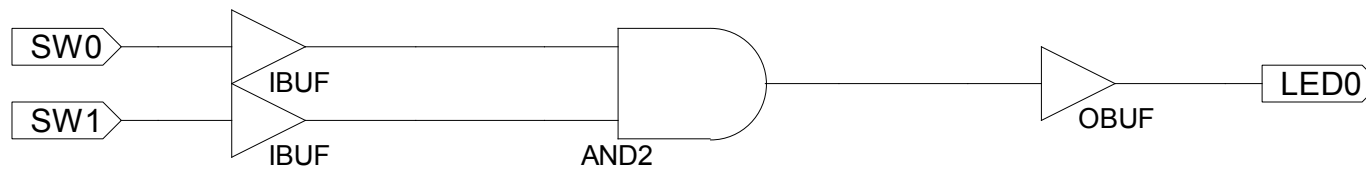
by Susutawari

INV_TOP



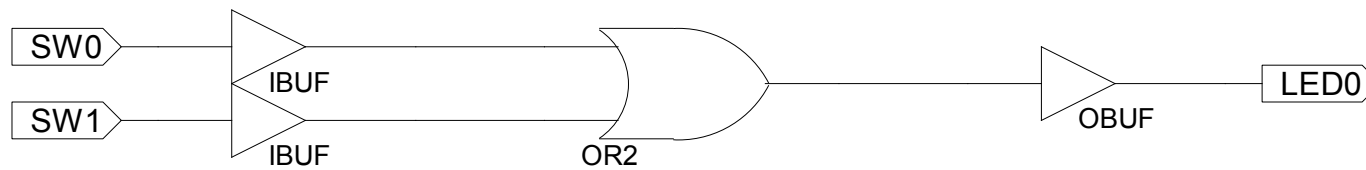
by Susutawari

AND_TOP



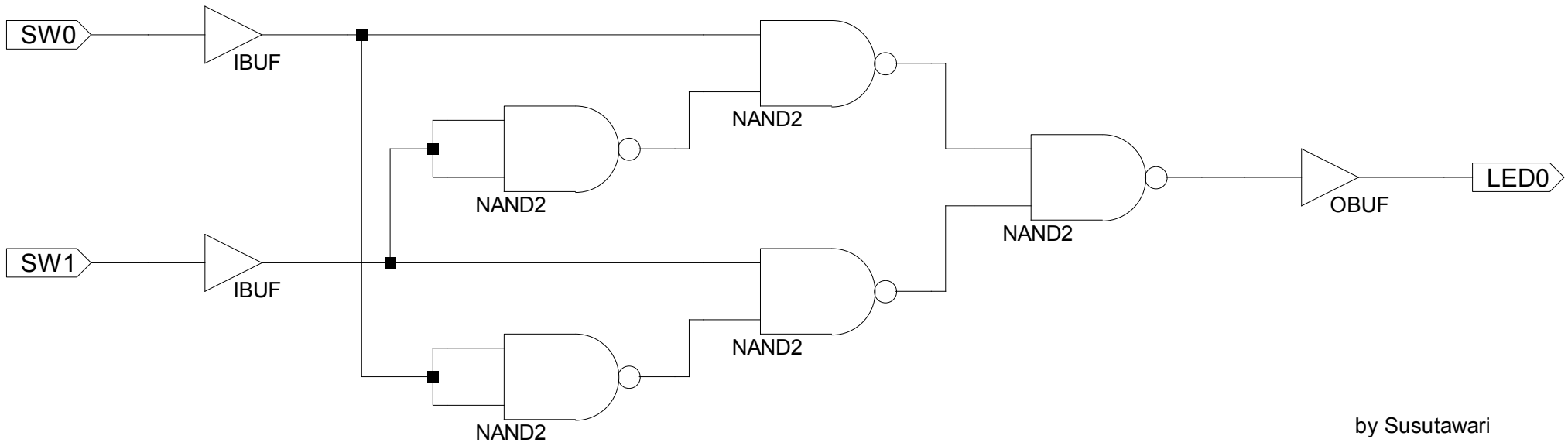
by Susutawari

OR_TOP



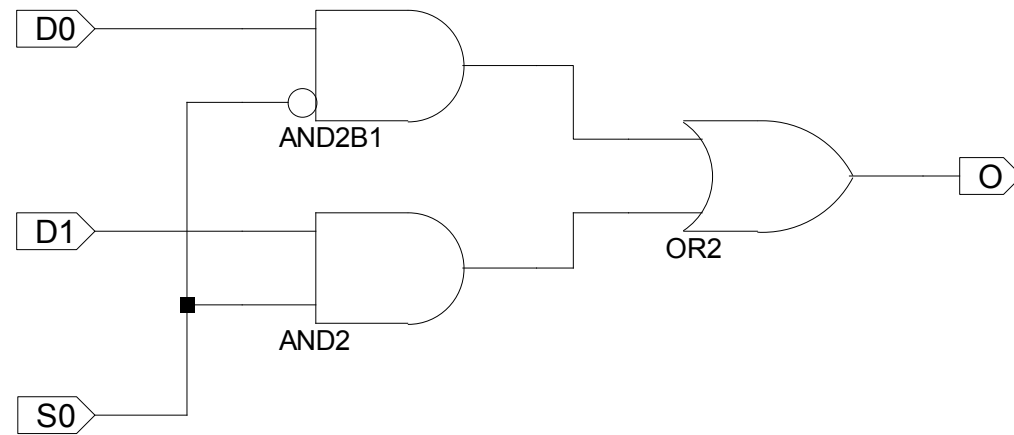
by Susutawari

XOR_TOP



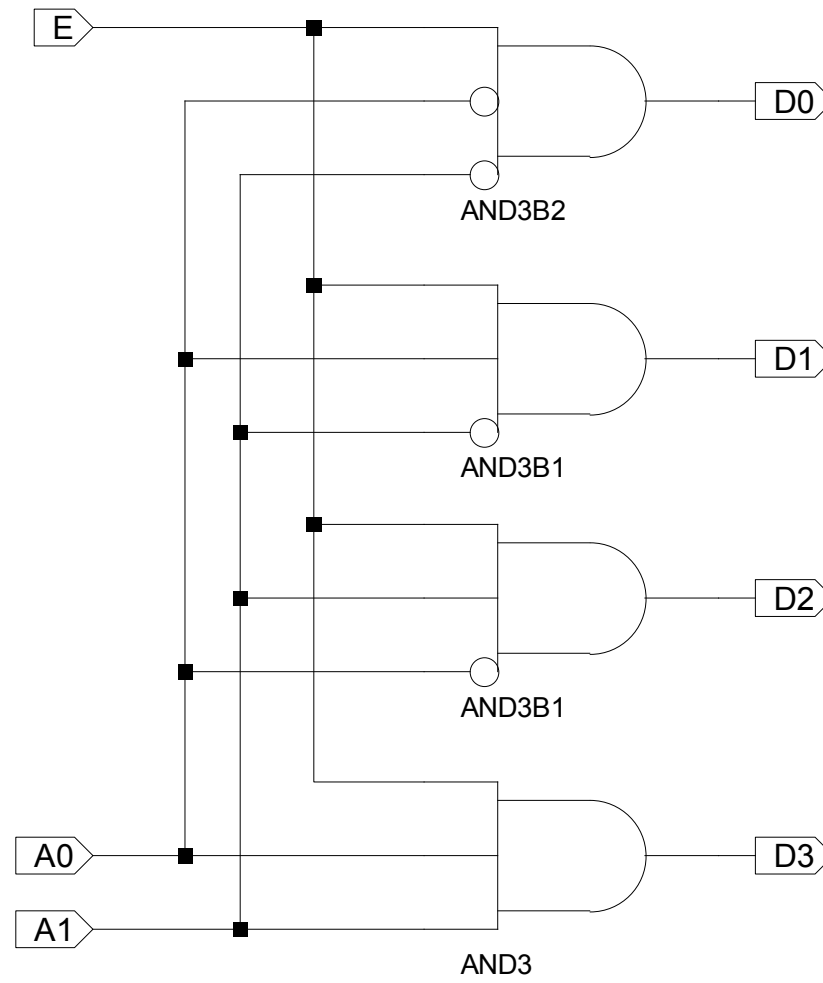
by Susutawari

M2_1_SCH



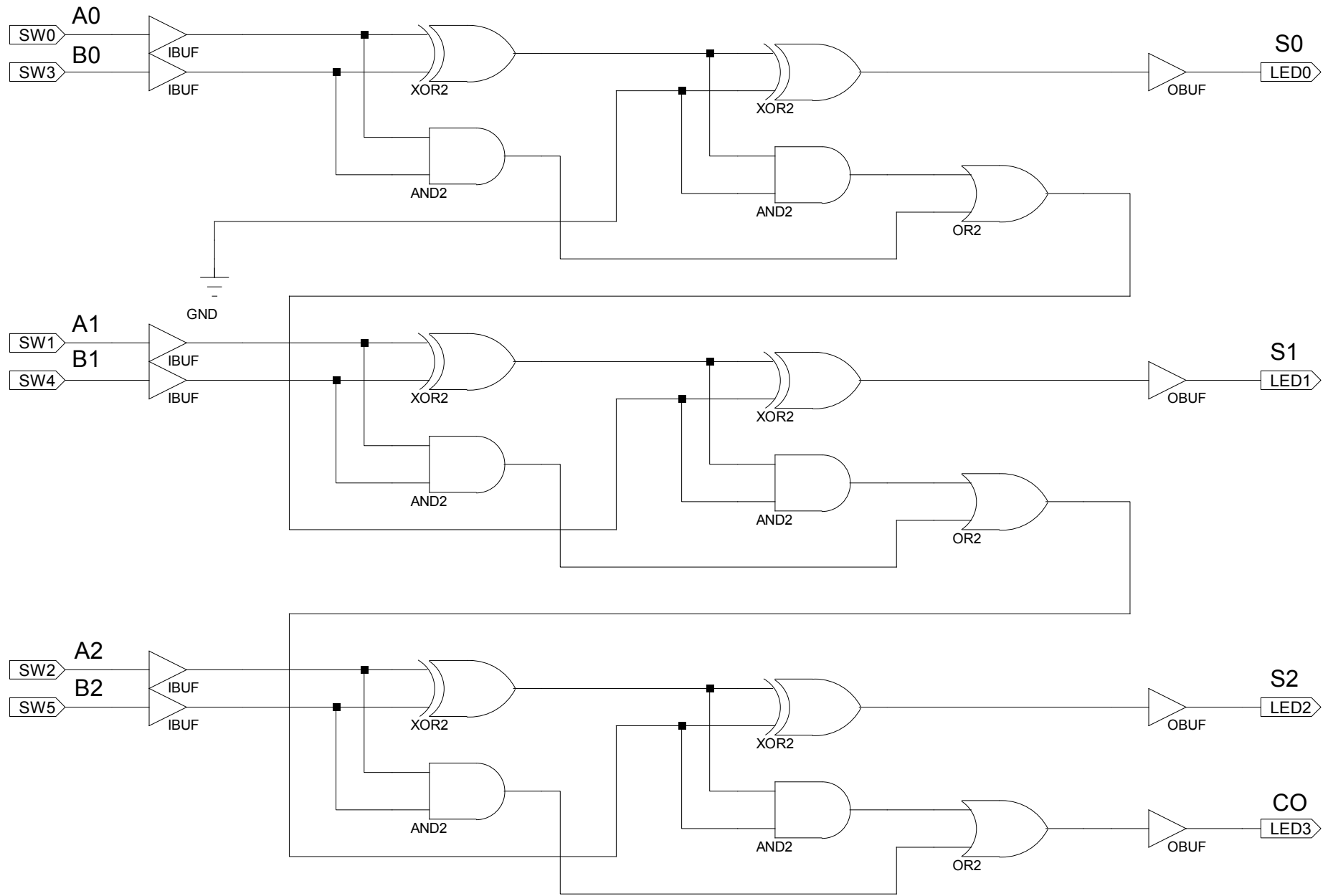
by Susutawari

D2_4E_SCH



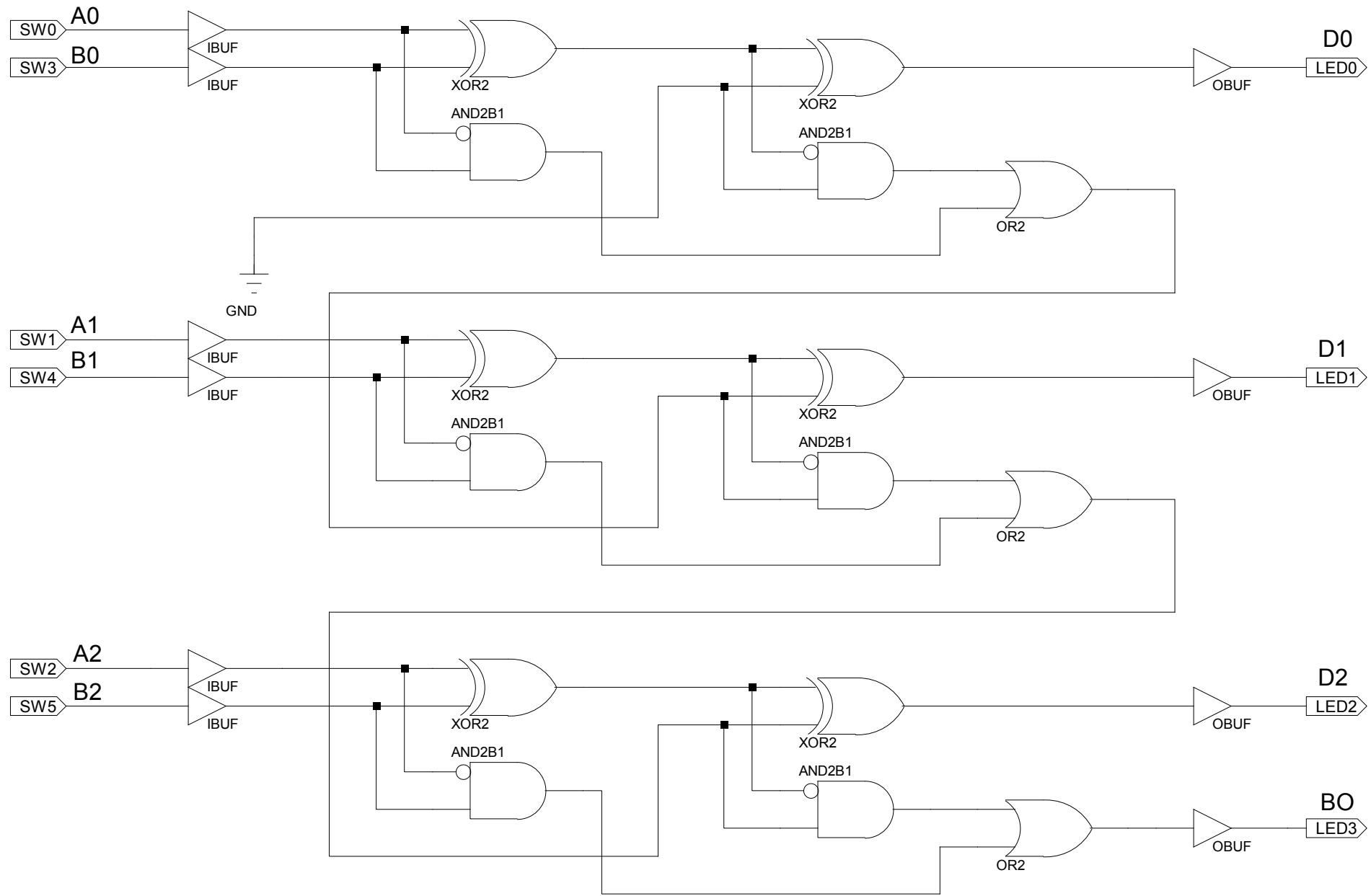
by Susutawari

FA3_SCH



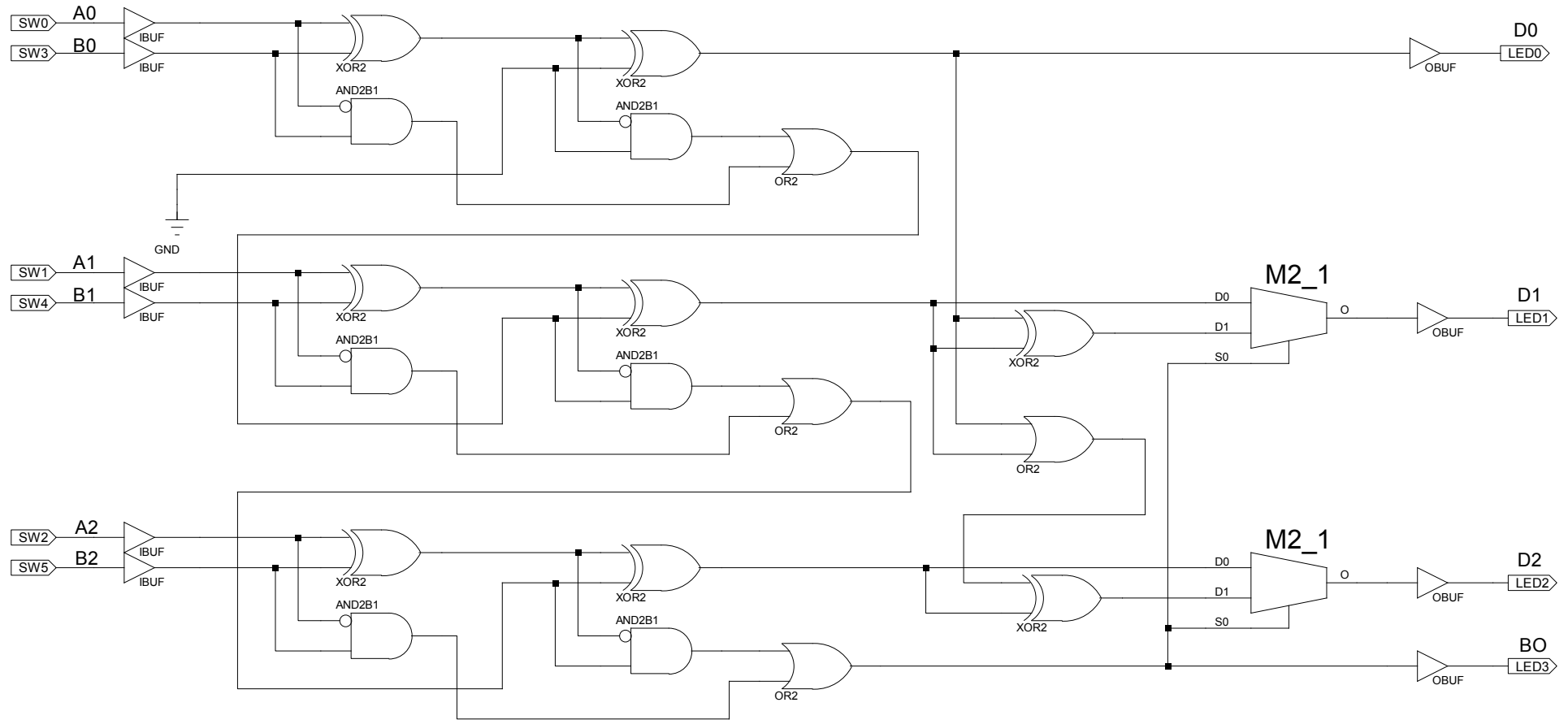
by Susutawari

SA3_SCH



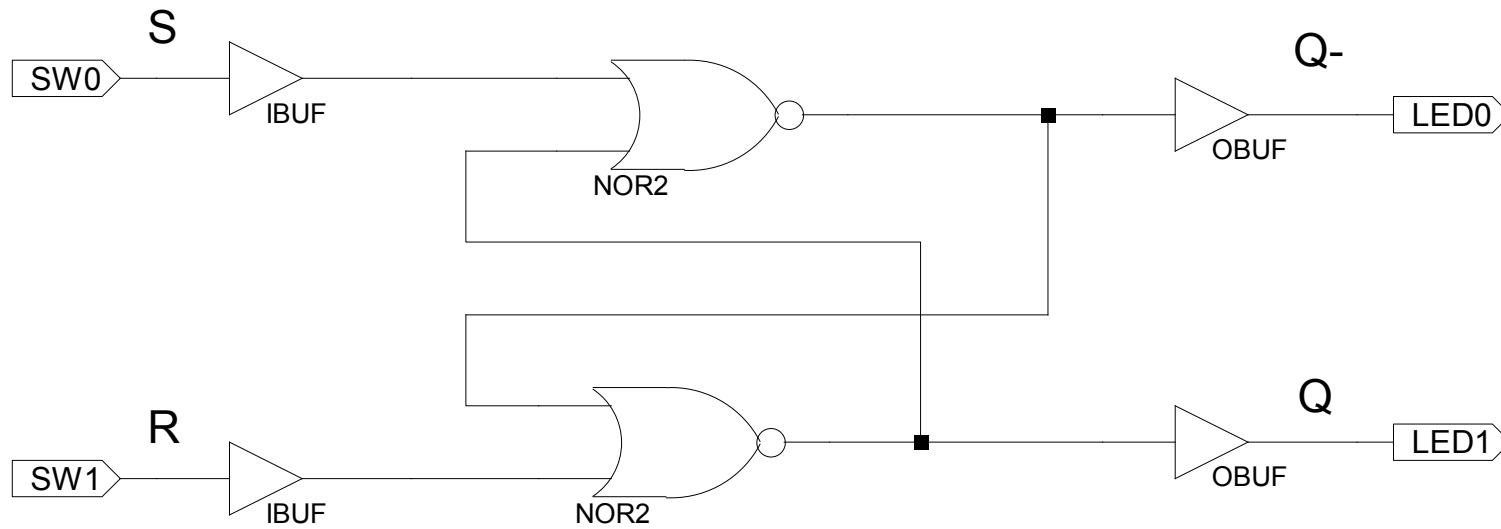
by Susutawari

SA3_SIGN_SCH



by Susutawari

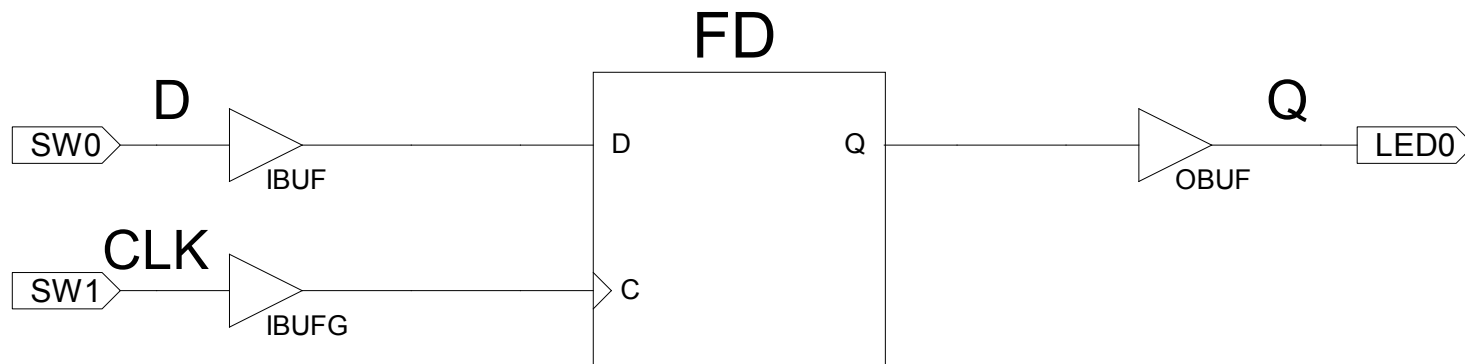
RSFF_SCH



by Susutawari

5.87 RSFF_SCH.sch

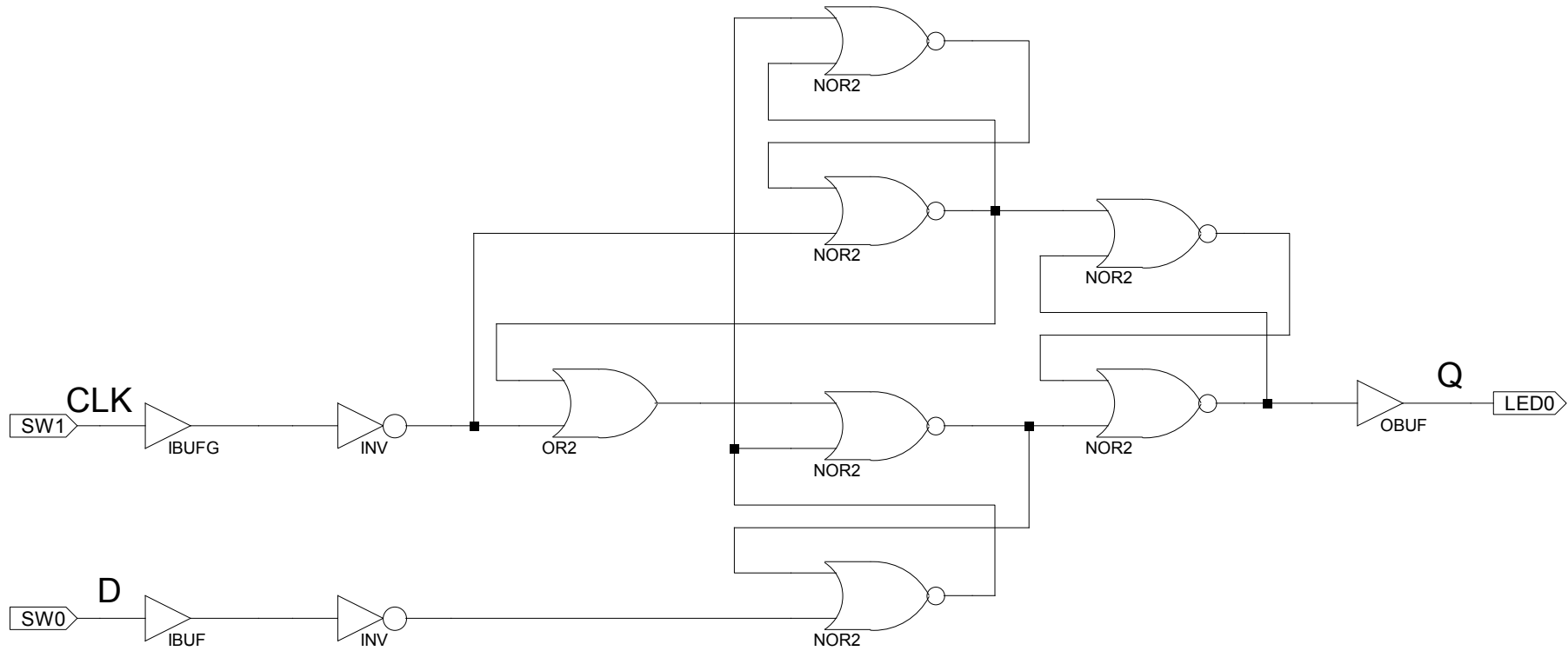
DFF_SCH



by Susutawari

5.97 DFF_SCH.sch

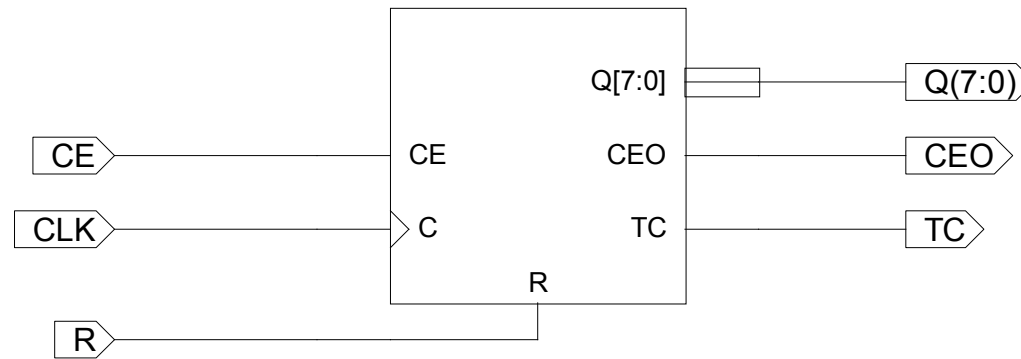
DFF2_SCH



by Susutawari

COUNTER8B_TOP

CB8RE



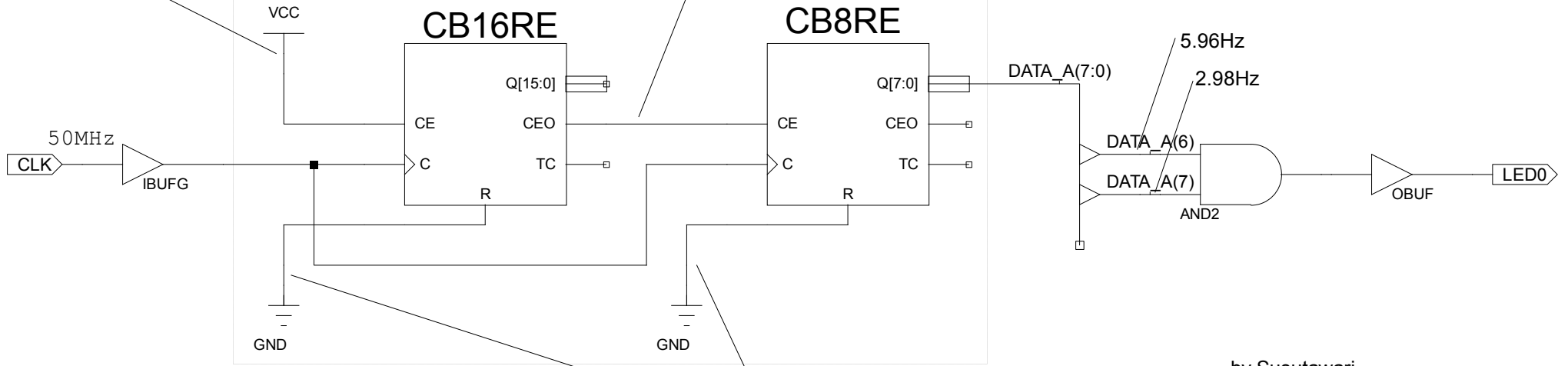
by Susutawari

LEDBLINK

CE = '1' : Its means the counter is non-stop.

Carry

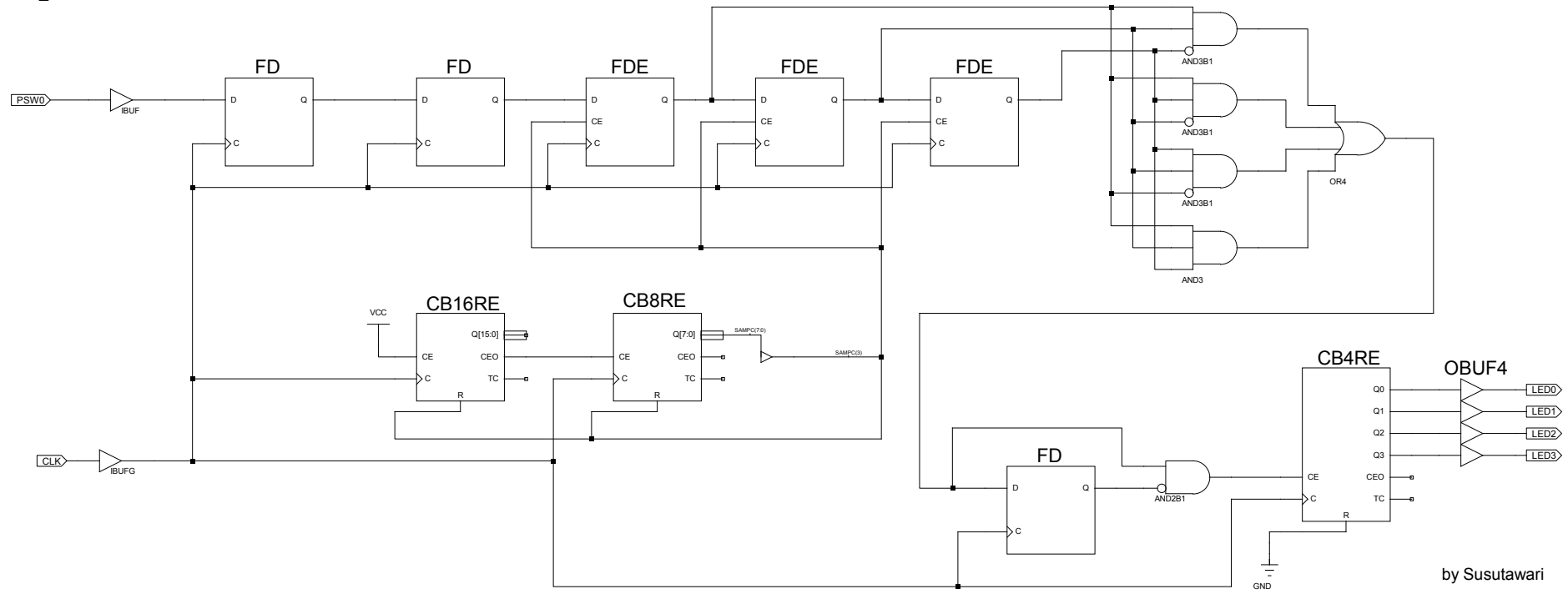
24bit Binary Counter



Reset is not used.

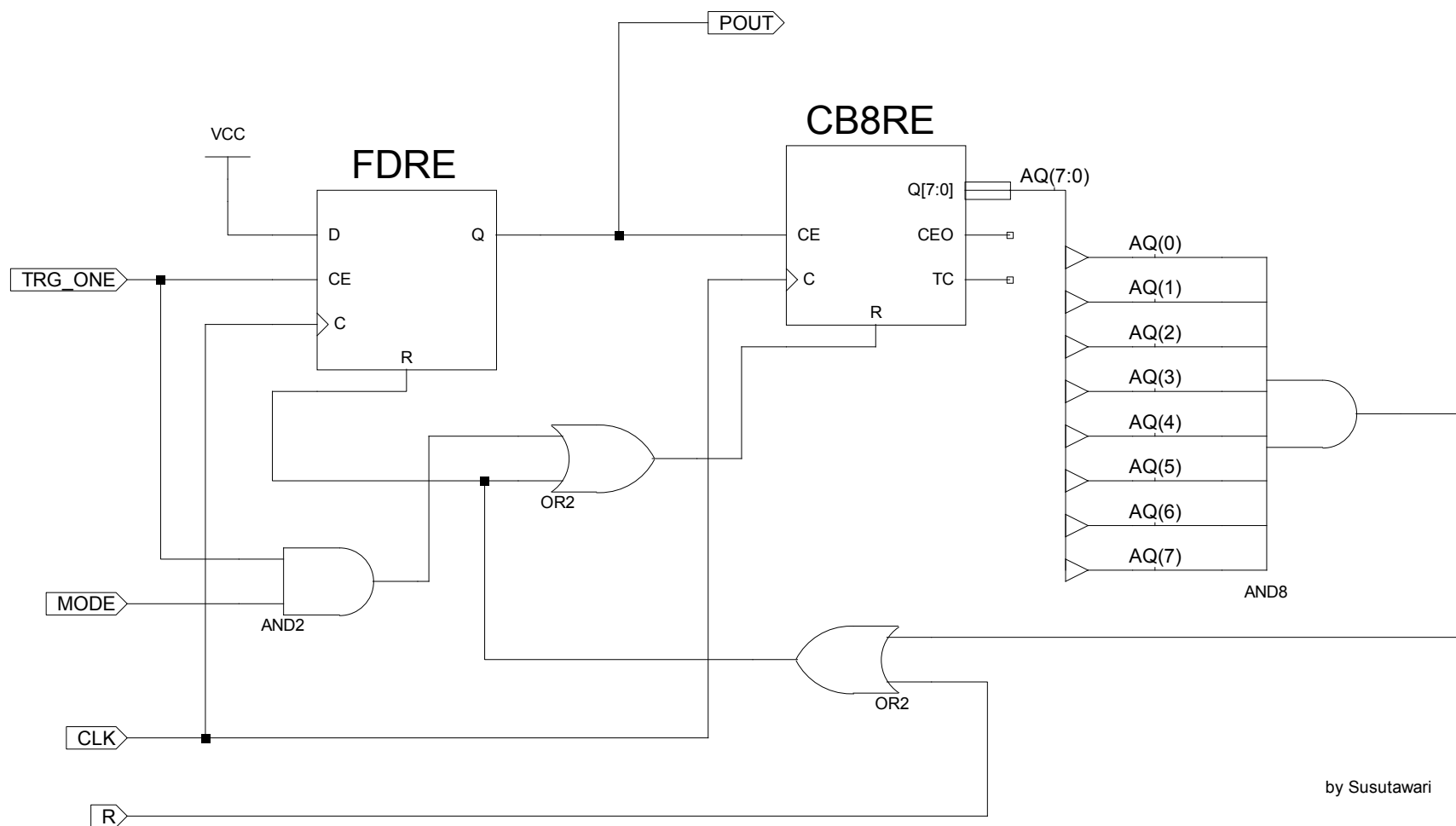
by Susutawari
2007.05.24
www.susubox.org

SW_COUNT



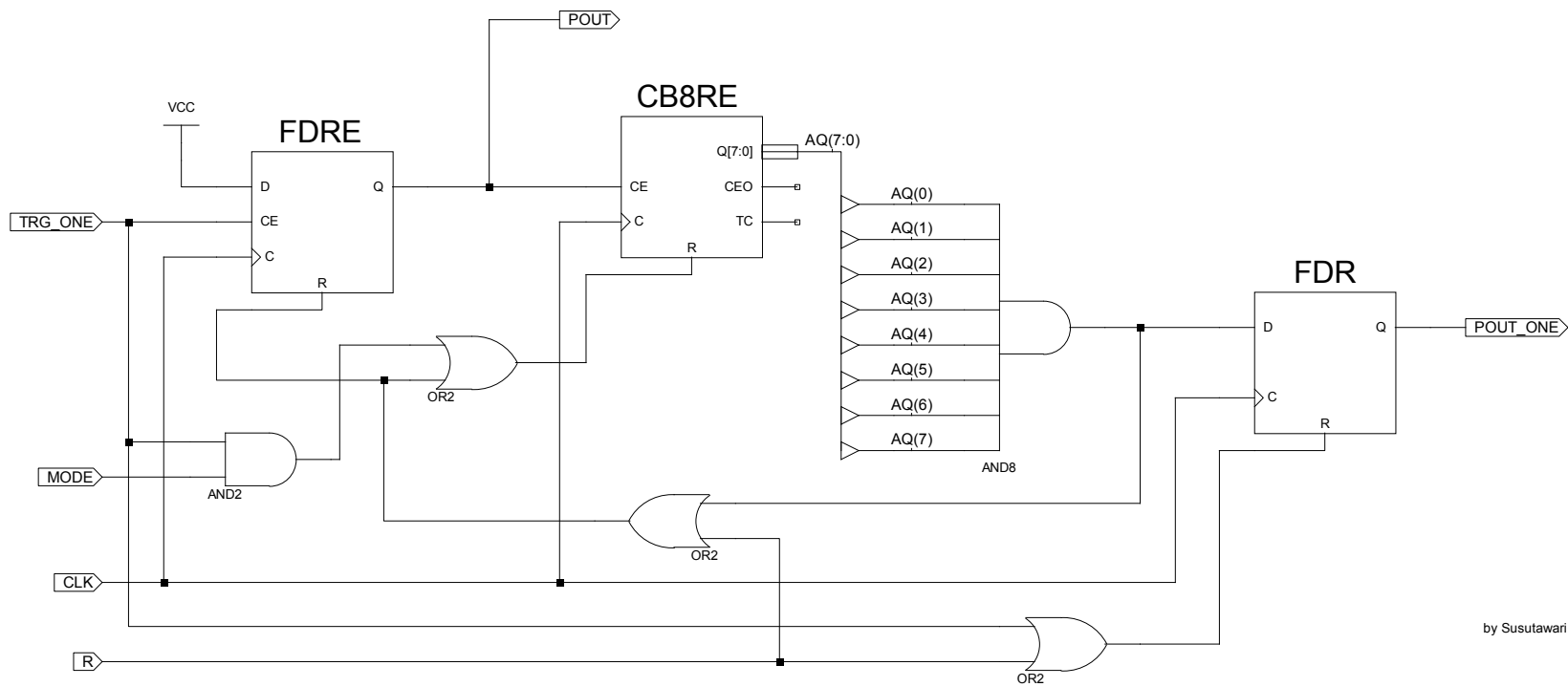
by Susutawari

TIMER1



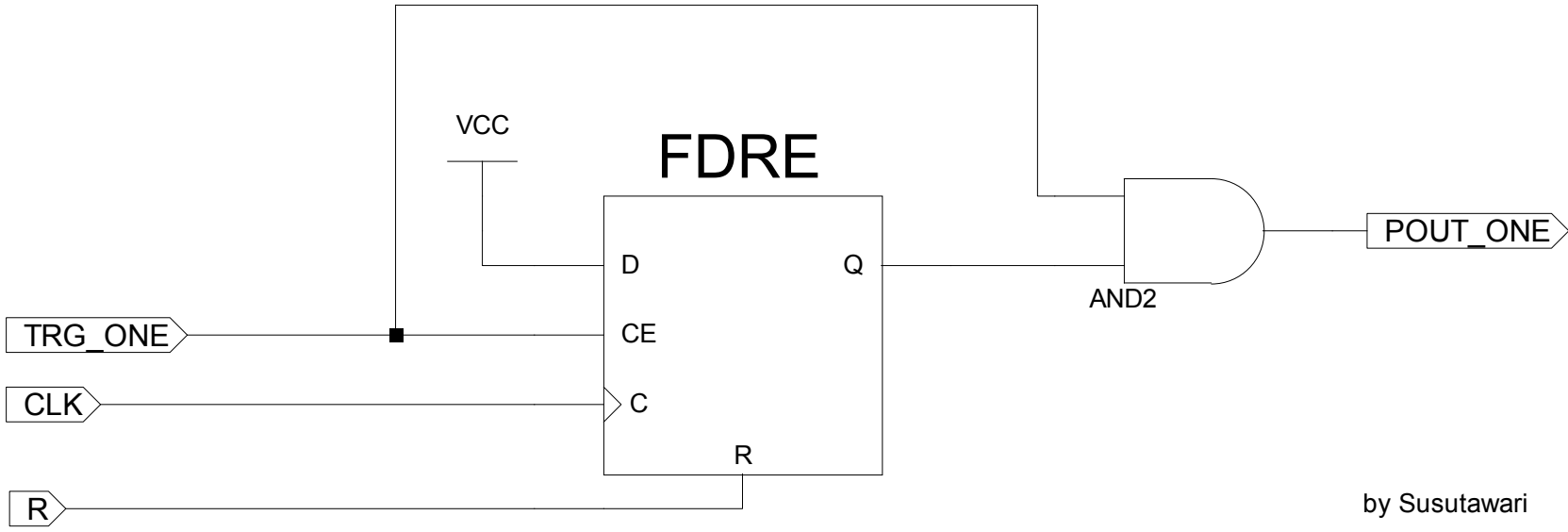
by Susutawari

TIMER2

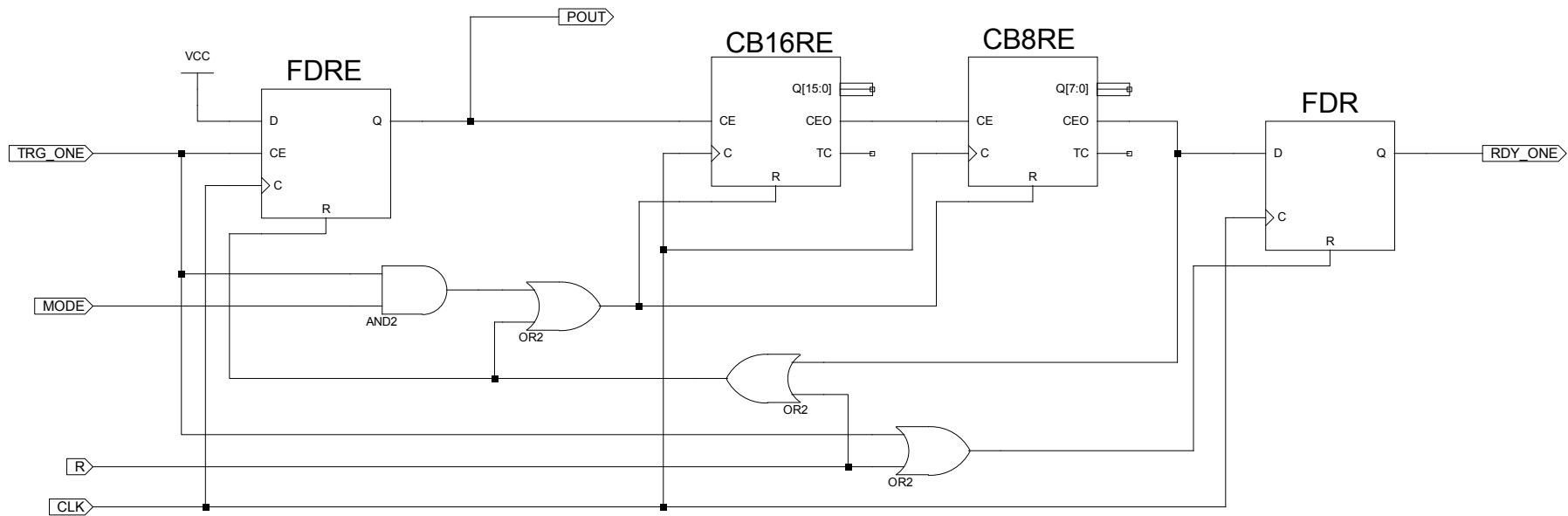


by Susutawari

PINH



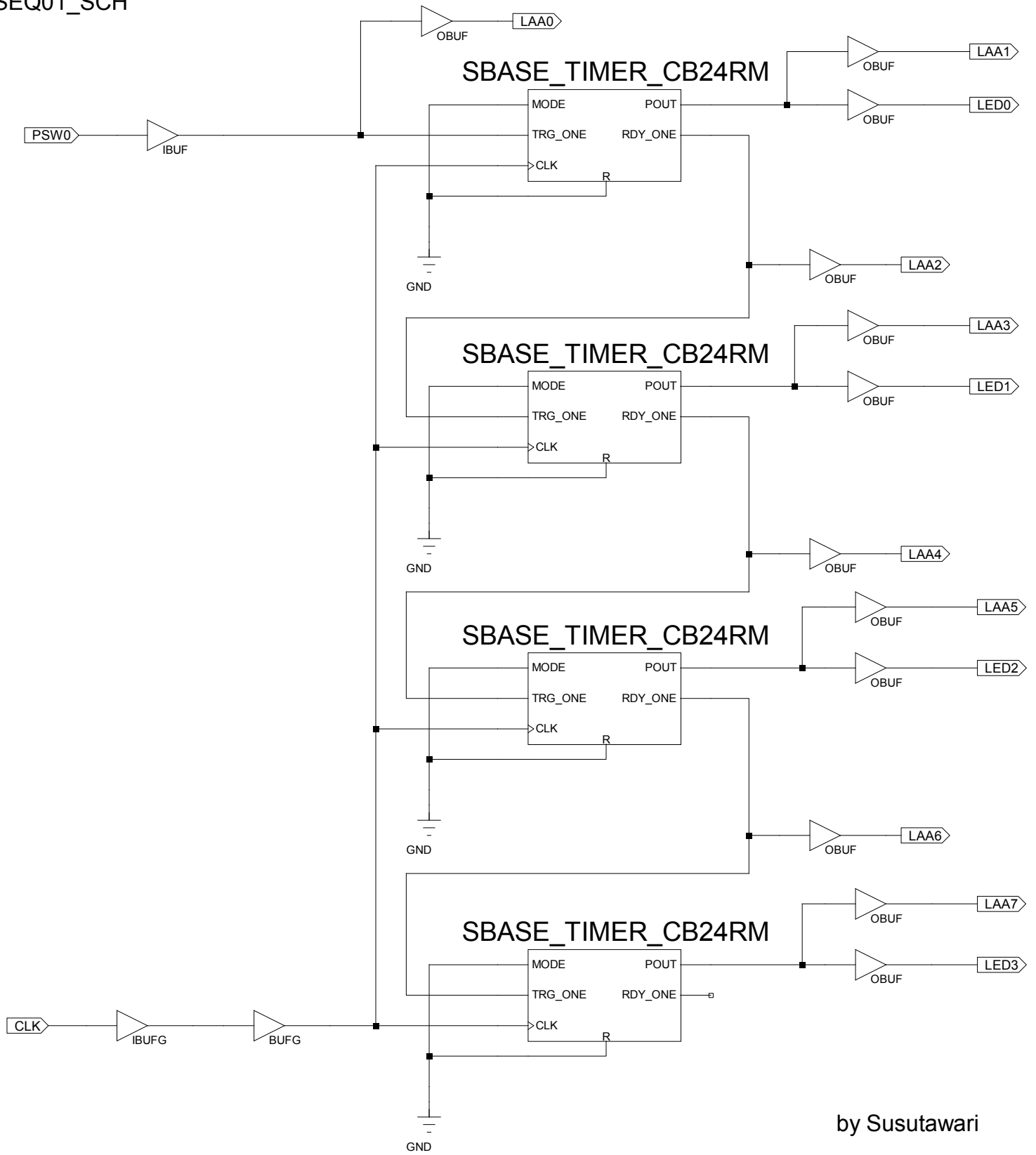
by Susutawari



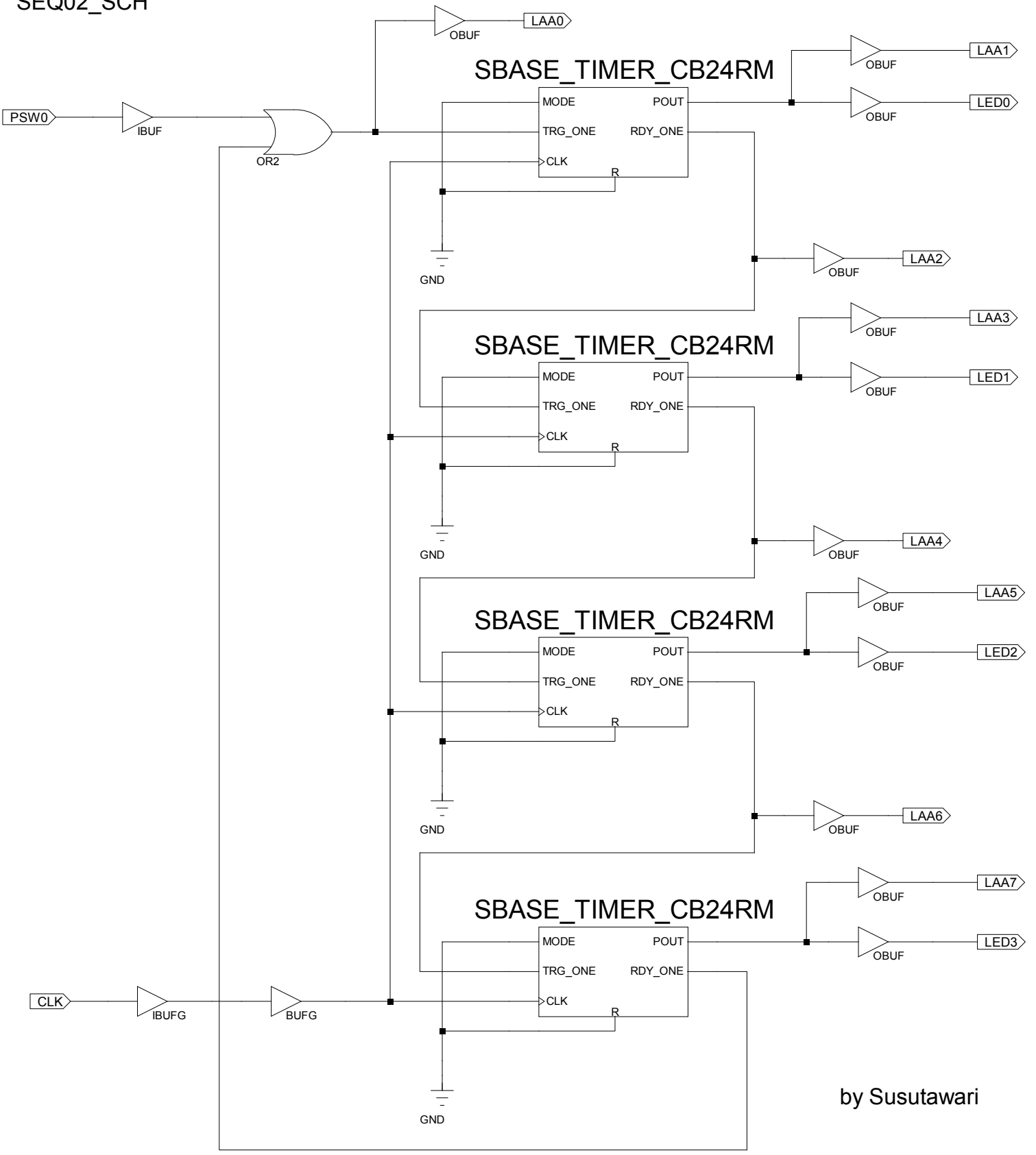
8.6 SBASE_TIMER_CB24RM.sch

SUSUBOX[®] WWW.SUSUBOX.ORG	
Title: SBASE_TIMER_CB24RM	
Comments: 16,777,217 Counts Timer (2 Mode Type)	
Date: 2011.01.14	Ver: 0.2
(C)2003-2011 SUSUBOX Project	Rev:

SEQ01_SCH



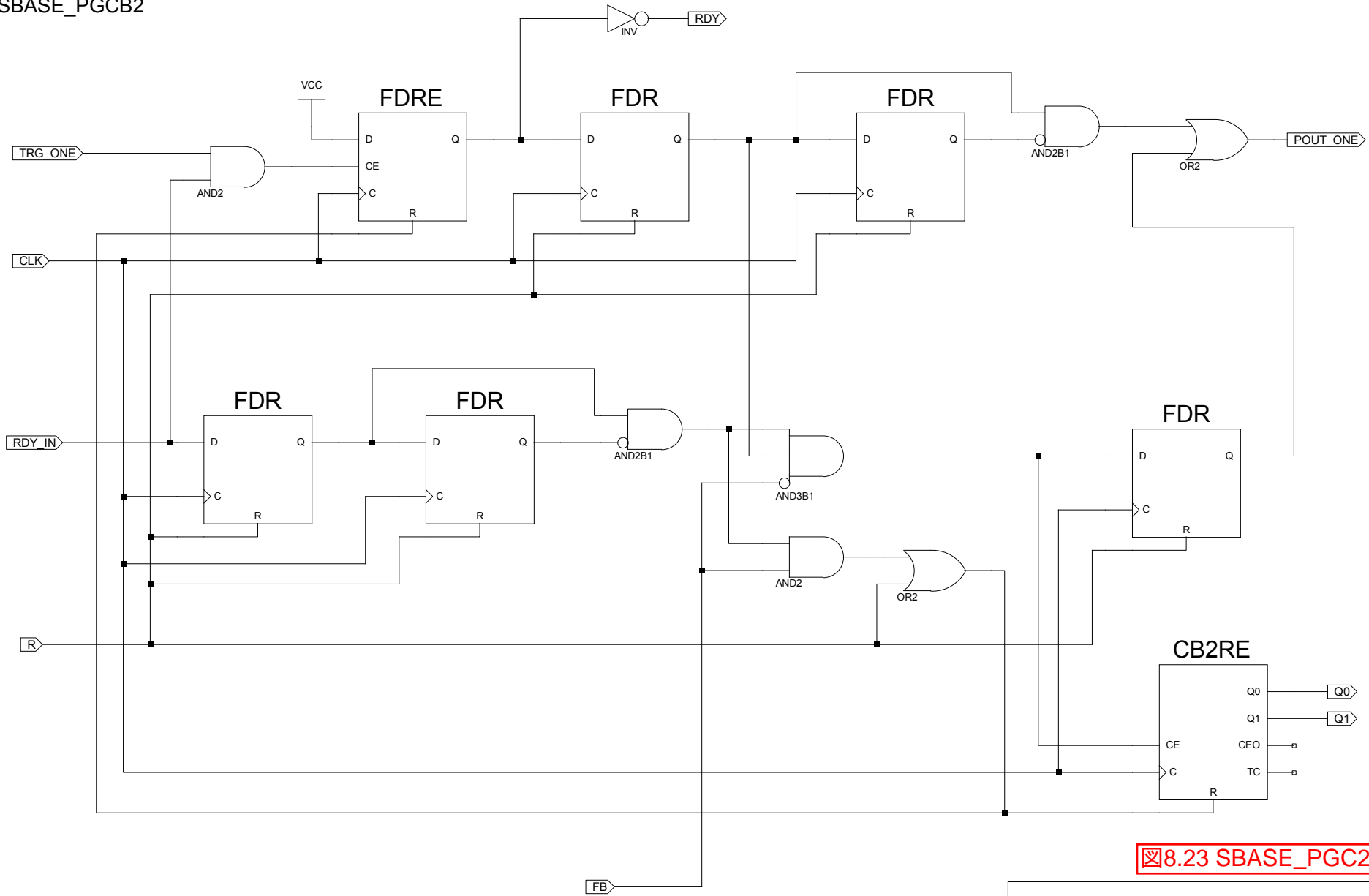
SEQ02_SCH



by Susutawari

8.18 SEQ02_SCH.sch

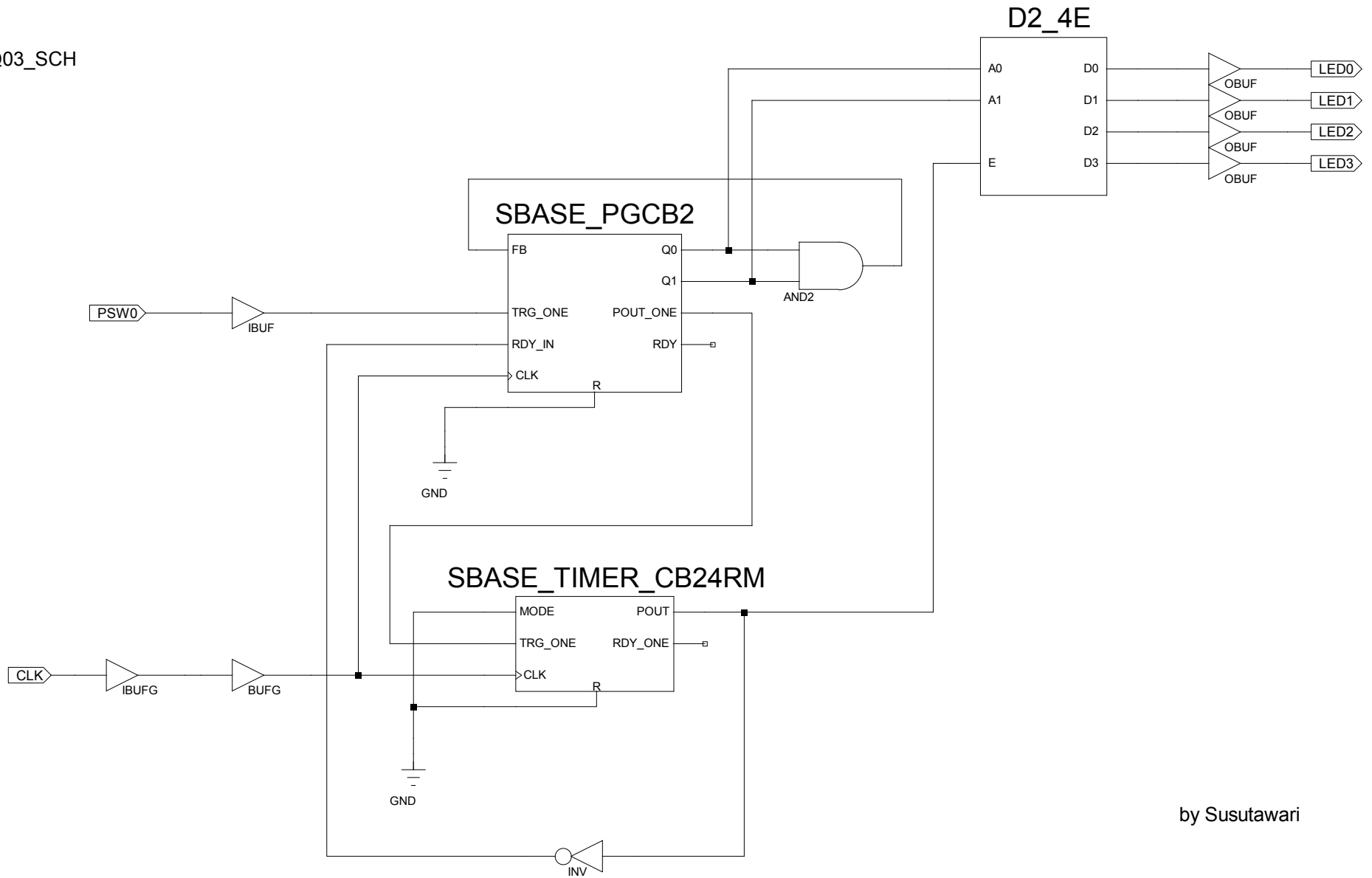
SBASE_PGCB2



8.23 SBASE_PGC2.sch

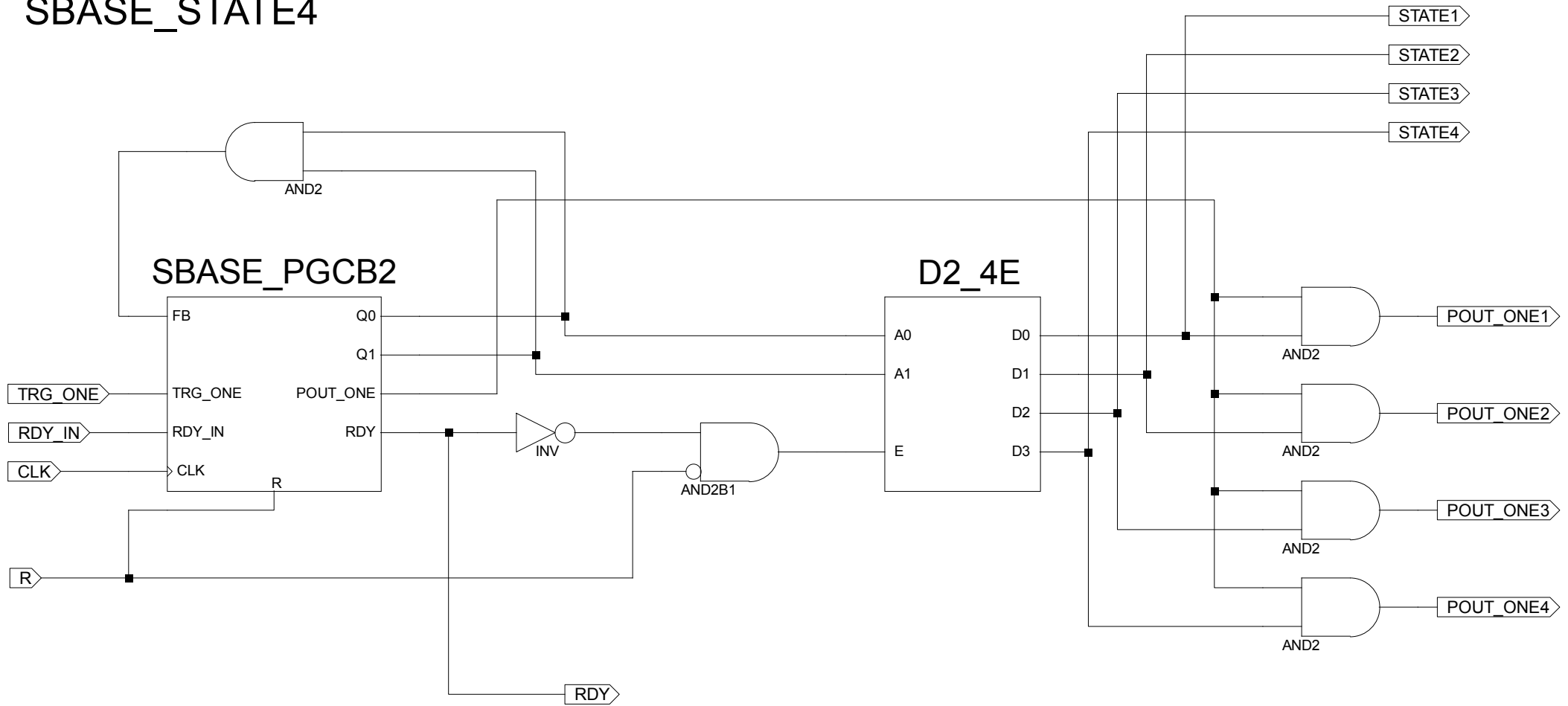
SUSUBOX[®] WWW.SUSUBOX.ORG	
Title: SBASE_PGCB2	
Comments: Pulse Generator with 2bit Binary Counter	
Date: 2009.09.23	Ver: 0.1
(C)2003-2011 SUSUBOX Project	Rev:

SEQ03_SCH



by Susutawari

SBASE_STATE4



SUSUBOX[®]

WWW.SUSUBOX.ORG

Title: SBASE_STATE4

Comments: 4 State Controller

Date: 2011.02.28

Ver: 0.2

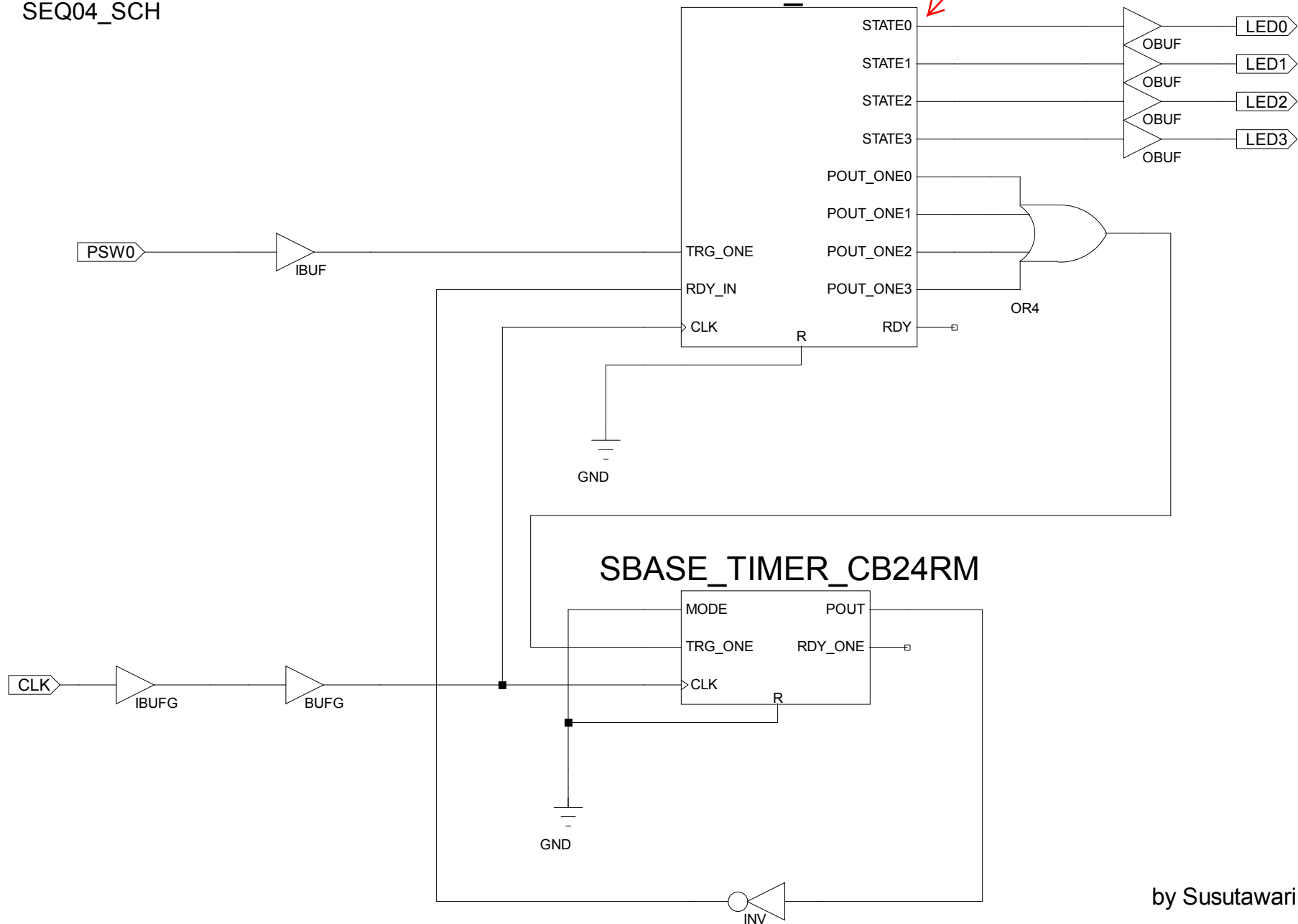
(C)2003-2011 SUSUBOX Project

Rev:

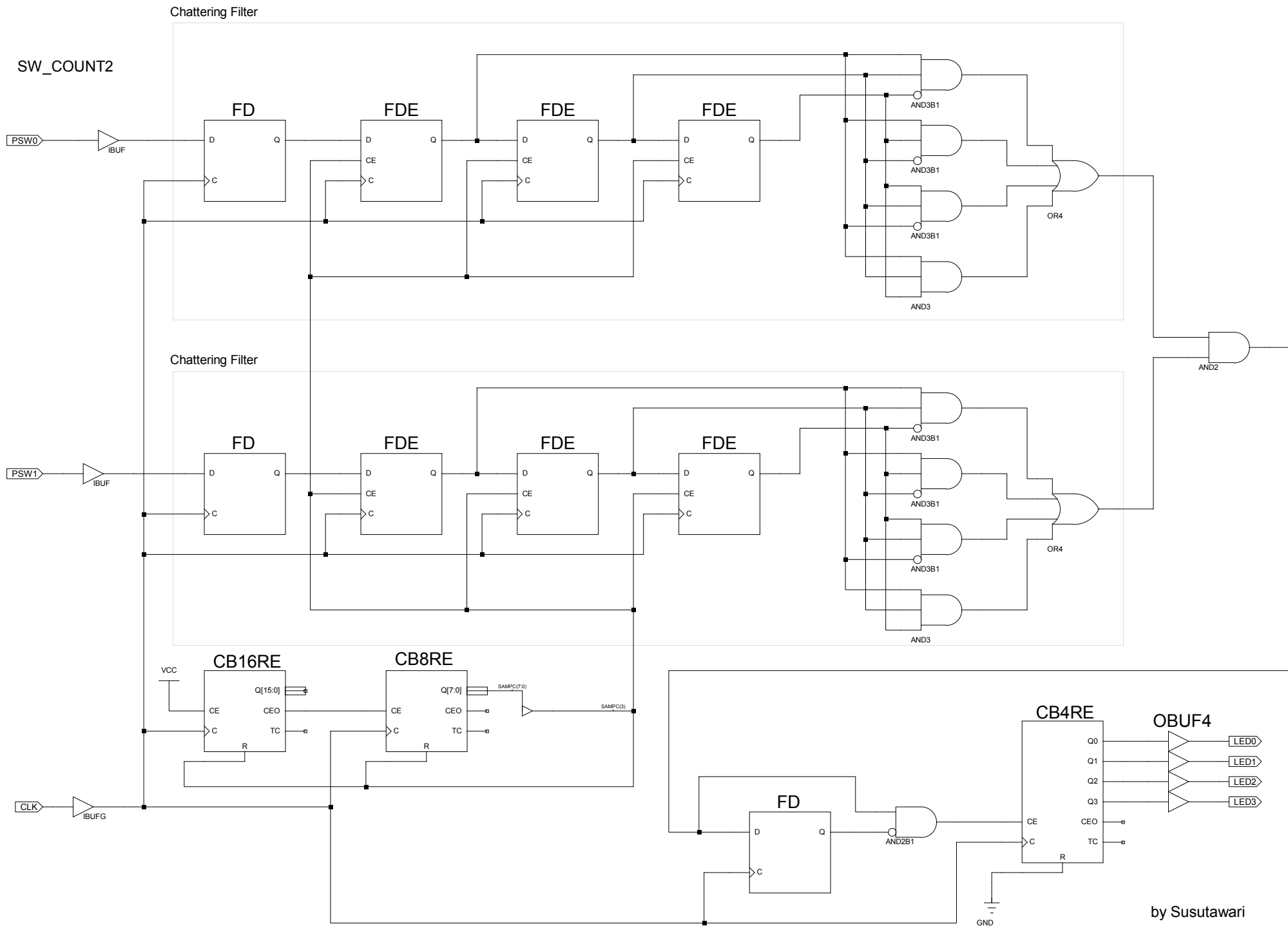
SEQ04_SCH

SBASE_STATE4

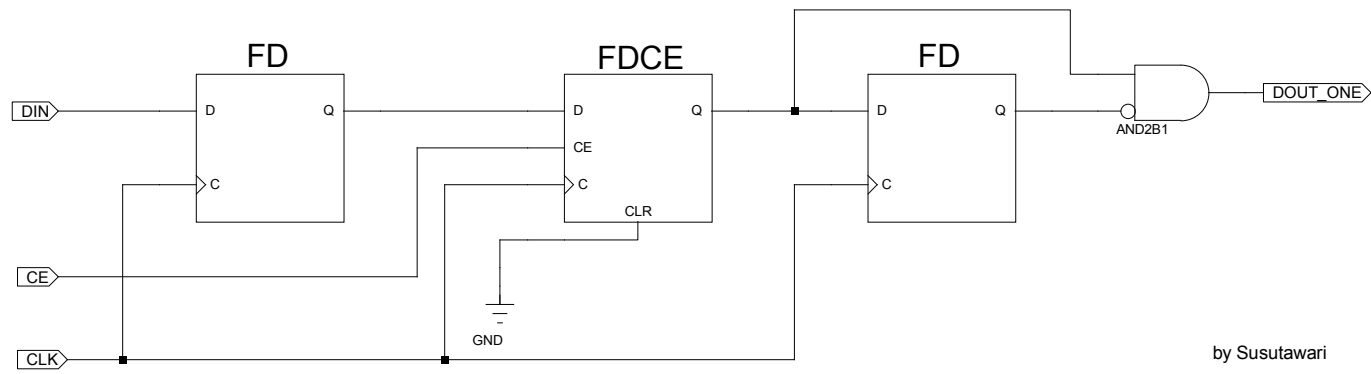
STATE1~4, POUT_ONE1~4の誤り



by Susutawari



CHAT_FILTER



by Susutawari

SW_COUNT2b

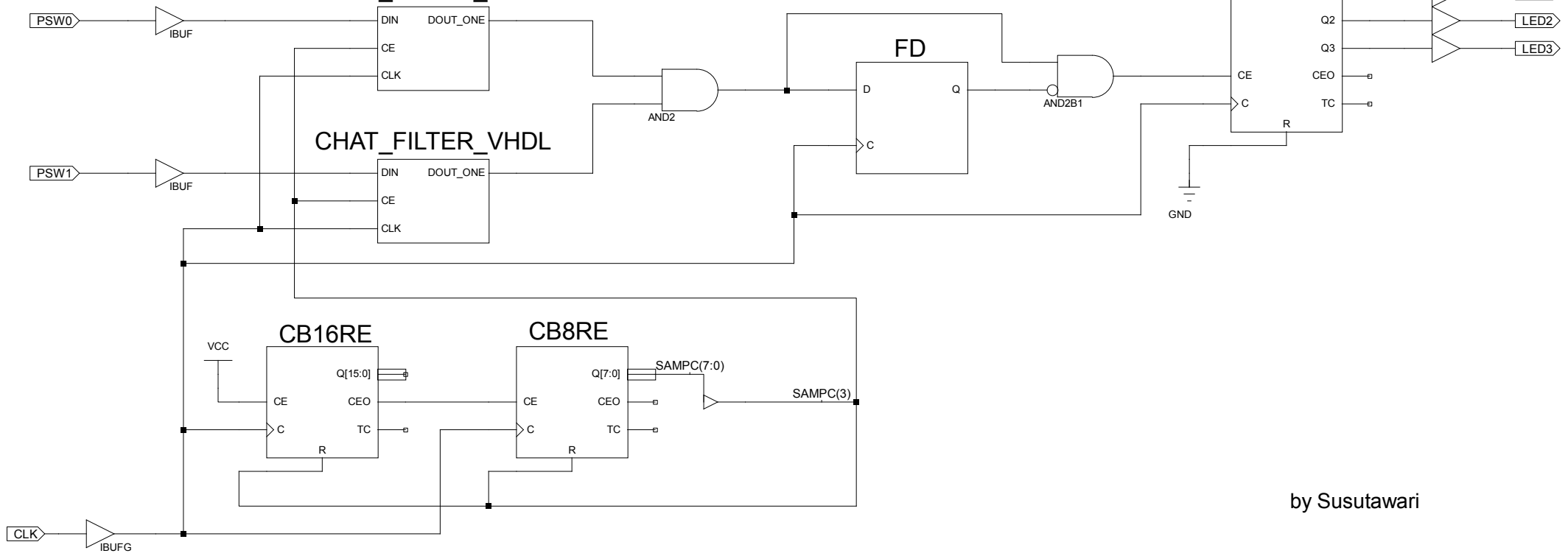
CHAT_FILTER_VHDL

CHAT_FILTER_VHDL

FD

CB4RE

OBUF4



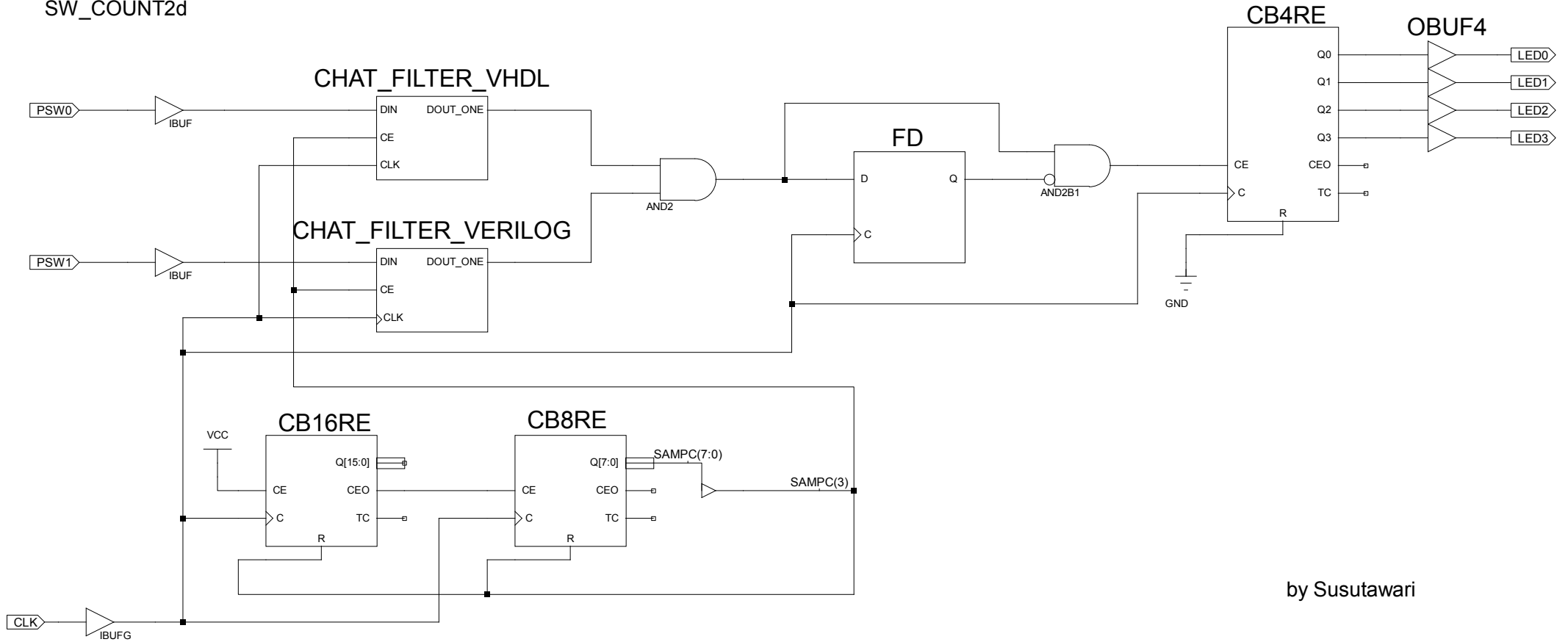
by Susutawari

9.31 SW_COUNT2b.sch

SW_COUNT2d

CHAT_FILTER_VHDL

CHAT_FILTER_VERILOG



by Susutawari

9.63 SW_COUNT2d.sch